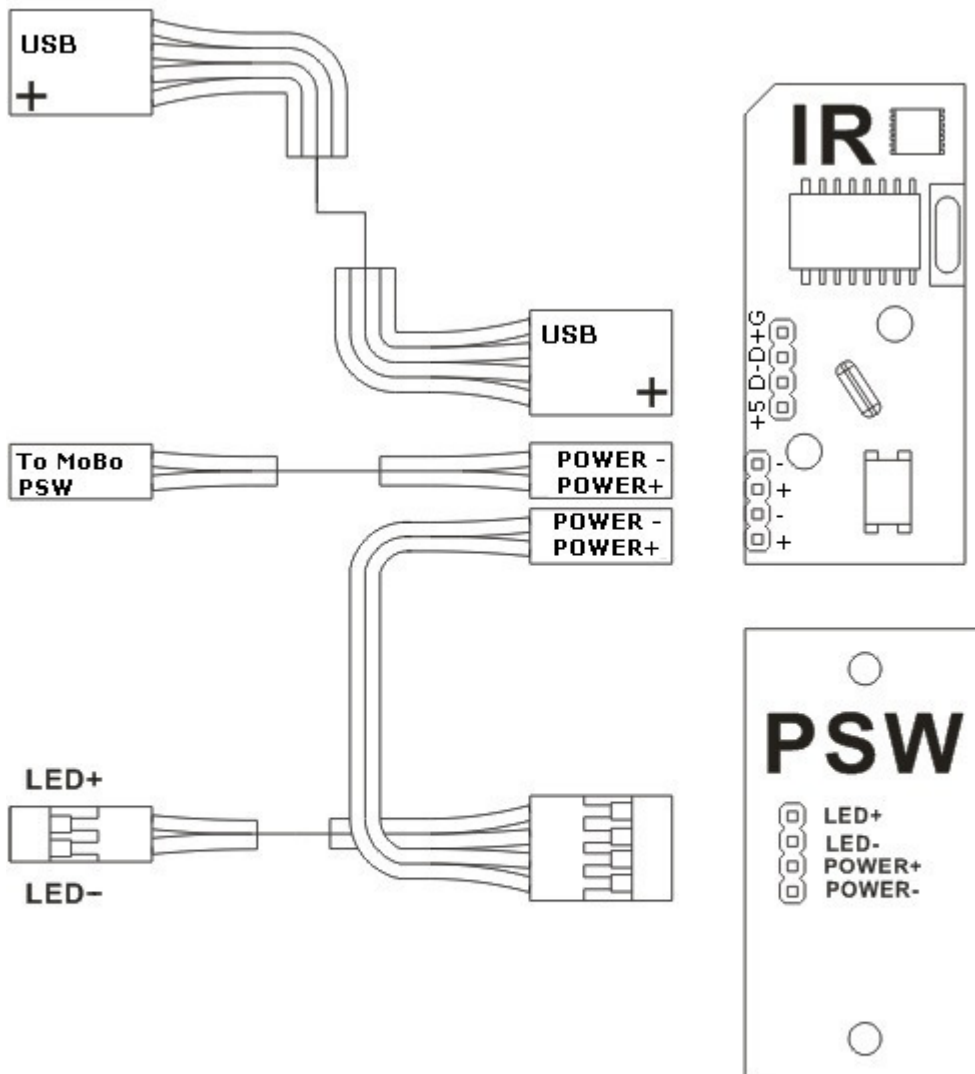


Important information

Attention:

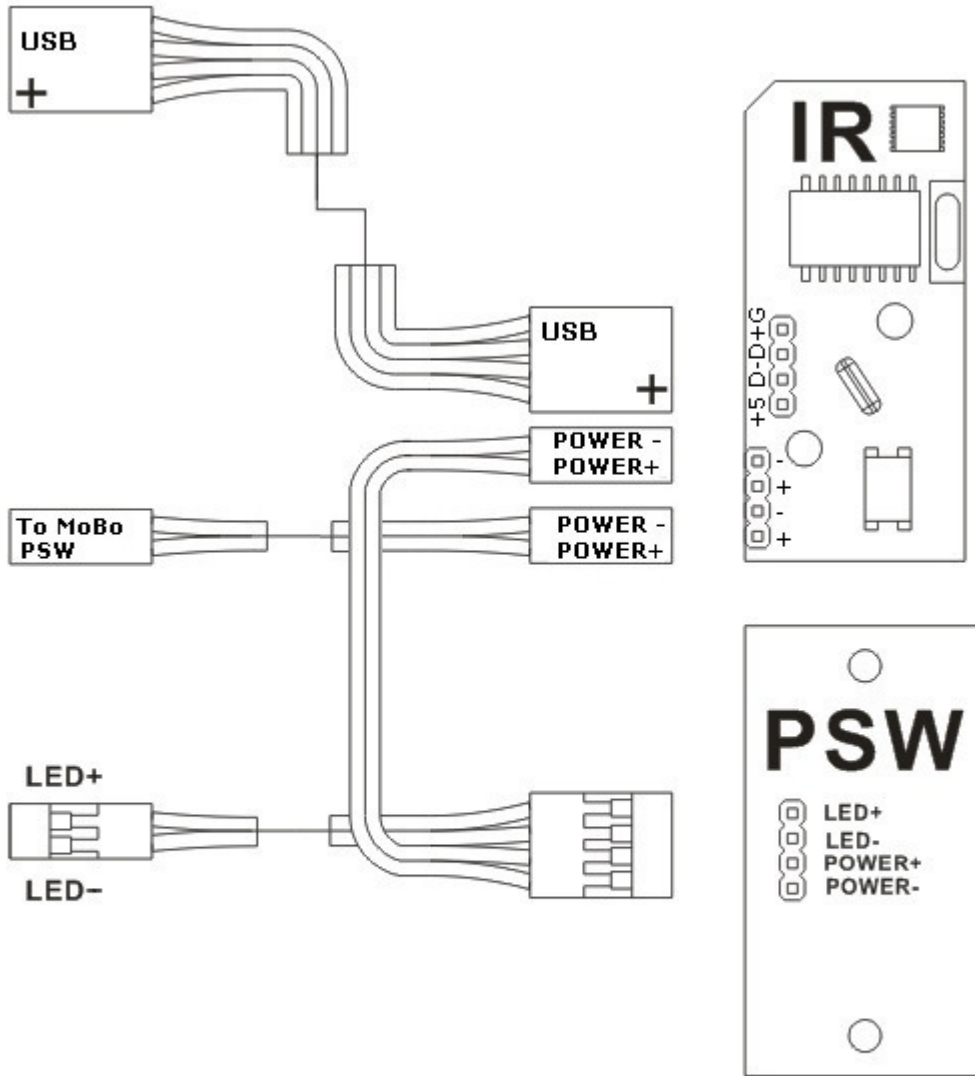
1. IR connections in manuals are marked incorrectly. Here are correct diagrams for Wesena IR connection.
2. I found that there are two versions of IR receiver. If "Power ON" from remote doesn't work, please swap connection on IR receiver from Version 1 to Version 2

Default (factory) connection:



VERSION 1

Another connection (if Version 1 doesn't work):



VERSION 2

I hope that this information will help you to solve "Power ON" from remote problem.